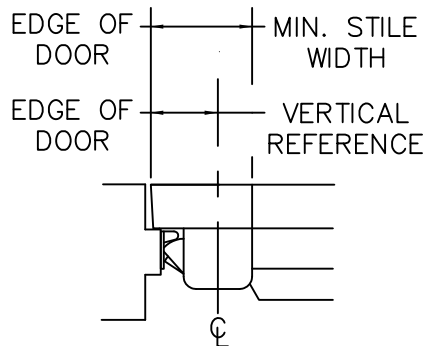
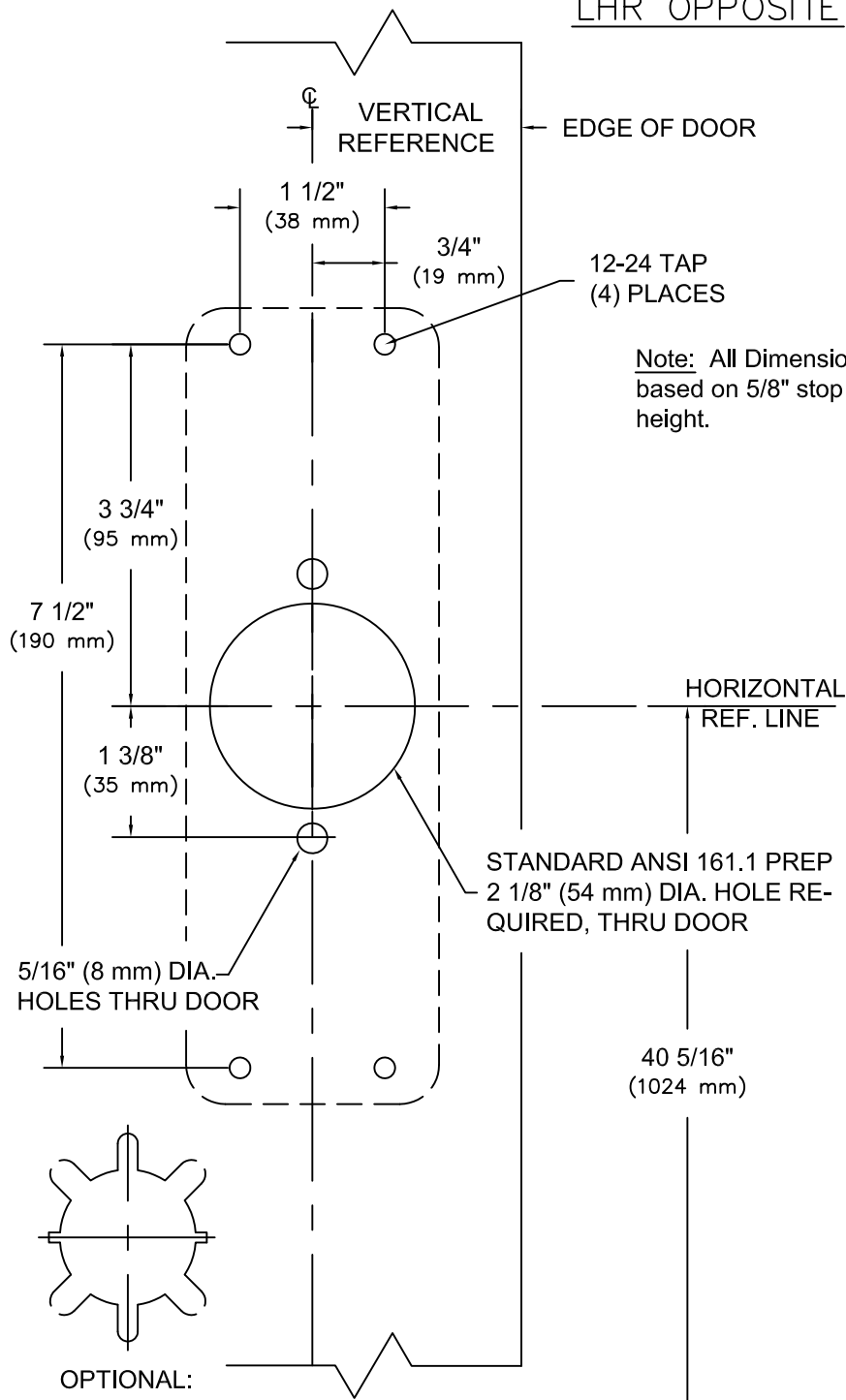
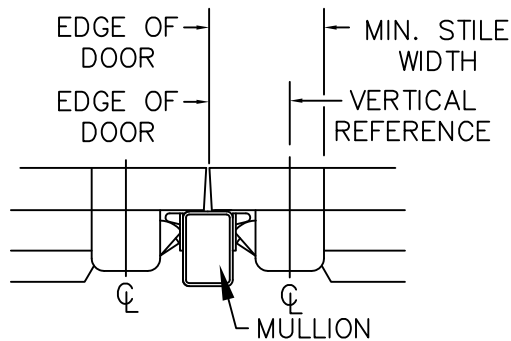


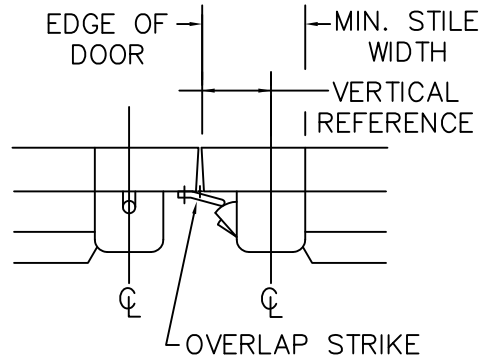
RHR SHOWN
LHR OPPOSITE



STOP	STRIKE	VERT. REF.	MIN. STILE
BLADE (cutout)	430	2 1/16" (52 mm)	3 1/2" (89 mm)
	486	2 13/16" (72 mm)	4 1/4" (108 mm)
	463		



MULLION	STRIKE	VERT. REF.	MIN. STILE
1310	463	2 3/4" (70 mm)	4 3/16" (106 mm)
	486		
1330	ALL	3" (76 mm)	4 7/16" (113 mm)
F1300	ALL	3 1/4" (83 mm)	4 9/16" (116 mm)
1340KR	ALL	3 1/4" (83 mm)	4 9/16" (116 mm)
F1340KR	ALL		



STRIKE	VERT. REF.	MIN. STILE
320	2 1/2" (64 mm)	4" (102 mm)

OPTIONAL:
SDI CUTOUT

NOTES: FINISHED FLOOR LINE OR TOP OF THRESHOLD

1. SEE MASTER SHEET #T-0001 FOR SUGGESTED DOOR REINFORCEMENT.
2. SEE ADDITIONAL TRIM TEMPLATE WHEN REQUIRED.
3. DEVICE WILL COVER STANDARD SDI CUTOUT.

REV. No. 6

REVISION: Lever Style Notes

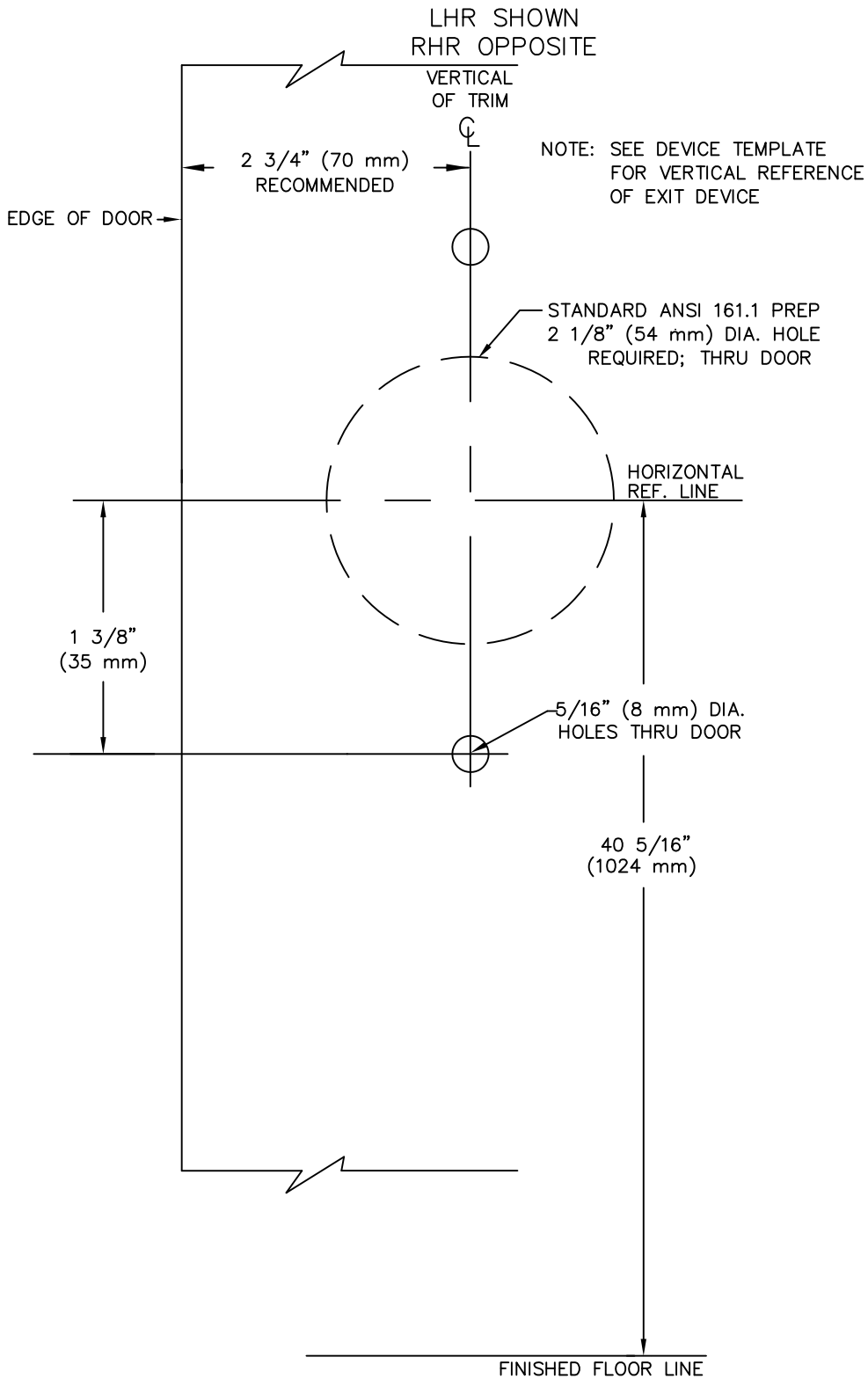
DATE: 1-28-2014



9300 & F9300 RIM TYPE EXIT DEVICE WHEN USED WITH 9C03 / 03IC, 9K03 / 03IC, 9R03 / 03IC, 9C08 / 08IC, 9K08 / 08IC, 9R08 / 08IC, 9C23, 9K23, 9R23

TEMPLATE NUMBER

T-9309 ©



NOT TO SCALE

NOTES:

1. SEE MASTER SHEET #T-0001 FOR SUGGESTED DOOR REINFORCEMENT.

REV. No. 3

REVISION: ADD 9000 SERIES TRIM

DATE: 1-22-2014



C,K,R02R, C,K,R03R/03RIC, C,K,R08/08IC, C,K,R23
8000 SERIES LEVER TRIM

9C,9K,9R02R, 9C,9K,9R03R/03RIC, 9C,9K,9R08/08IC
9C,9K,9R23 9000 SERIES LEVER TRIM

TEMPLATE NUMBER
T-2066 ③